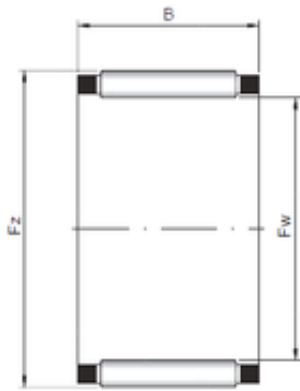




MANUFACTURING? BEARING INDONESIA

ISO K14x18x14 needle roller bearings



Bearing No. K14x18x14

Size	14x18x14 mm
Bore Diameter	14 mm
Outer Diameter	18 mm
Width	14 mm
Fw	14 mm
Ew	18 mm
B	14 mm

K14x18x14 Bearing 2D drawings and 3D CAD models