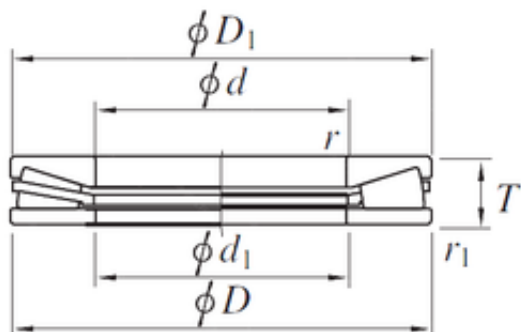




# MANUFACTURING? BEARING INDONESIA

## KOYO THR6066 thrust roller bearings



Bearing No. THR6066

Size	300x663.5x165 mm
Bore Diameter	300 mm
Outer Diameter	663.5 mm
Width	165 mm
d	300 mm
D	663.5 mm
T	165 mm
d1	306 mm
r min.	12 mm
r1 min.	12 mm
D1	658 mm
Weight	312 Kg
Basic dynamic load rating (C)	6 370 kN

THR6066 Bearing 2D drawings and 3D CAD models