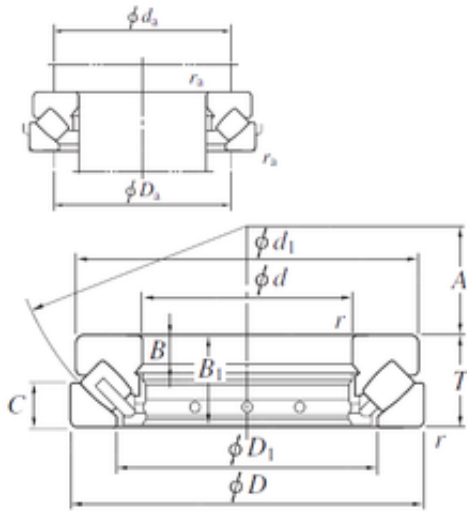




# MANUFACTURING?BEARING INDONESIA



190 mm x 380 mm x 41 mm 190 mm x 380 mm x 41 mm KOYO 29438R thrust roller bearings

Bearing No. 29438R

29438R Bearing 2D drawings and 3D CAD models

Size	190x380x115 mm
Bore Diameter	190 mm
Outer Diameter	380 mm
Width	115 mm
d	190 mm
D	380 mm
T	115 mm
d1	360 mm
r min.	5 mm
A	117 mm
B	41 mm
B1	111 mm
C	55 mm
D1	271 mm
da min.	275 mm
Da max.	320 mm
ra max.	4 mm
Weight	614 Kg
Basic dynamic load rating (C)	2230 kN
Bearing No.	29438R
r(min)	5
Ca	2790
Coa	7690
Oil lub.	850
da(min)	275



## MANUFACTURING?BEARING INDONESIA

Da(max)	320
ra(max)	4
(Refer.)Mass(kg)	61.4