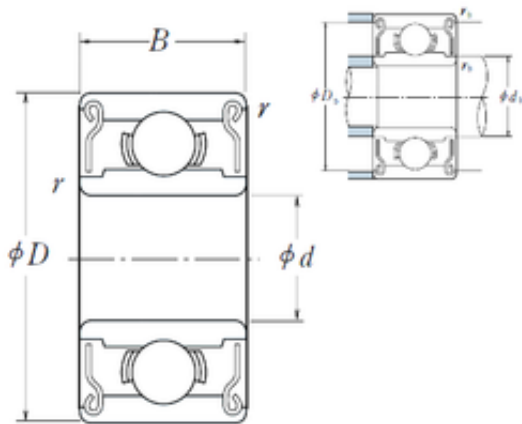




MANUFACTURING? BEARING INDONESIA



R12ZZ Bearing 2D drawings and 3D CAD models

19.05 mm x 41,275 mm x 11,1125 mm 19.05 mm x 41,275 mm x 11,1125 mm NSK R12ZZ deep groove ball bearings

Bearing No. R12ZZ

Size	19.05x41.275x11.1125 mm
Bore Diameter	19.05 mm
Outer Diameter	41,275 mm
Width	11,1125 mm
d	19.05 mm
D	41,275 mm
B	11,1125 mm
C	11,1125 mm
r min.	0,8 mm
Weight	0,054 Kg
Basic dynamic load rating (C)	9,42469179917813 kN
Basic static load rating (C0)	5,00268000714669 kN
Category	Single Row Ball Bearings
Inventory	0.0
Manufacturer Name	NSK
Minimum Buy Quantity	N/A
Weight / Kilogram	0.03
EAN	0029176003189
Product Group	B00308
Enclosure	2 Metal Shields
Precision Class	ABEC 1 ISO P0
Maximum Capacity / Filling Slot	No
Rolling Element	Ball Bearing



MANUFACTURING? BEARING INDONESIA

Snap Ring	No
Internal Special Features	No
Cage Material	Steel
Internal Clearance	C0-Medium
Inch - Metric	Inch
Long Description	3/4" Bore; 1-5/8" Outside Diameter; 7/16" Outer Race Width; 2 Metal Shields; Ball Bearing; ABEC 1 ISO P0; No Filling Slot; No Snap Ring; No Internal Special Features
Category	Single Row Ball Bearing
UNSPSC	31171504
Harmonized Tariff Code	8482.10.50.68
Noun	Bearing
Keyword String	Ball
Manufacturer URL	http://www.nskamericas.com
Manufacturer Item Number	R12ZZ
Weight / LBS	0.065
Outside Diameter	1.625 Inch 41.275 Millimeter
Outer Race Width	0.438 Inch 11.125 Millimeter
Bore	0.75 Inch 19.05 Millimeter
bore diameter:	0.7500 in
dynamic load capacity:	2110 lb
outside diameter:	1.6250 in
static load capacity:	1120 lbs
overall width:	0.4375 in
precision rating:	Not Rated
bore type:	Round
finish/coating:	Uncoated
closure type:	Double Shielded



MANUFACTURING?BEARING INDONESIA

cage material:	Steel
row type & fill slot:	Single Row Non-Fill Slot
outer ring width:	7/16 in
internal clearance:	C0
maximum rpm:	20000 RPM
operating temperature range:	-10 to +110 ° C
series:	R