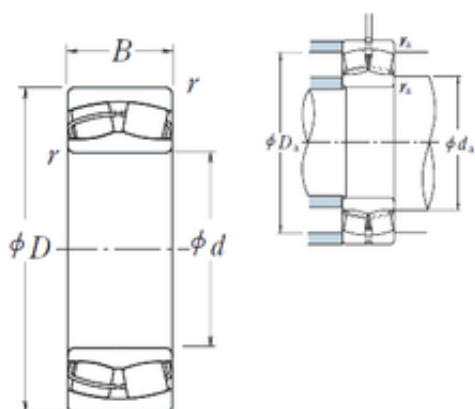




## MANUFACTURING? BEARING INDONESIA



190 mm x 340 mm x 120 mm 190 mm x 340 mm  
x 120 mm NSK 23238CE4 spherical roller bearings

Bearing No. 23238CE4

23238CE4 Bearing 2D drawings and 3D CAD models

Size	190x340x120 mm
Bore Diameter	190 mm
Outer Diameter	340 mm
Width	120 mm
d	190 mm
D	340 mm
B	120 mm
C	120 mm
r min.	4 mm
da min.	208 mm
da max	222 mm
Da min	288 mm
Da max.	322 mm
ra max.	3 mm
Weight	47,6 Kg
Basic dynamic load rating (C)	1440 kN
Basic static load rating (C0)	2350 kN
(Grease) Lubrication Speed	800 r/min
(Oil) Lubrication Speed	1100 r/min
Calculation factor (e)	0,35
Calculation factor (Y0)	1,9
Calculation factor (Y2)	2,9
Category	Spherical Roller Bearings
Inventory	0.0
Manufacturer Name	NSK



## MANUFACTURING? BEARING INDONESIA

Minimum Buy Quantity	N/A
Weight / Kilogram	40
EAN	0029176031922
Product Group	B04311
Internal Clearance	C0-Medium
Mounting Method	Shaft Mount
Rolling Element	Spherical Roller Bearing
Bore Profile	Straight
Cage Material	Steel
Enclosure	Open
Number of Rows of Rollers	Double Row
Relubricatable	Yes
Withdrawal Sleeve	Not Applicable
Inch - Metric	Metric
Long Description	190MM Straight Bore; 340MM Outside Diameter; 120MM Width; C0-Medium Clearance; Shaft Mount; Double Row of Spherical Roller Bearings; Steel Cage Material; Open Enclosure; Relubricatable
Category	Spherical Roller Bearing
UNSPSC	31171510
Harmonized Tariff Code	84823080
Noun	Bearing
Keyword String	Spherical
Manufacturer URL	<a href="http://www.nskamericas.com">http://www.nskamericas.com</a>
Manufacturer Item Number	23238CE4
Weight / LBS	47.6
Bore	7.48 Inch   190 Millimeter
Width	4.724 Inch   120 Millimeter
Outside Diameter	13.386 Inch   340 Millimeter
Adapter Part Number	Not Applicable Inch   Not



## MANUFACTURING? BEARING INDONESIA

	Applicable Millimeter
bore diameter:	190 mm
closure type:	Open
outside diameter:	340 mm
lubrication hole type:	Oil Grooves And Holes In Outer Ring
overall width:	120 mm
cage material:	Bronze
bore type:	Straight
application:	General Machinery
outer ring type:	Not Split
series:	Spherical Roller 232 Series
internal clearance:	C0
Y3	1.9
hidYobi	23238CE4
LangID	1
Y1	1.9
D_	340
Y2	2.9
Macha rpm	0
B_	120
da min	208
hidTable	ecat_NSSPHR
Oil rpm	1100
Y0	1.9
mass	47.6
GRS rpm	800
ra	3
TSR rpm	1200
C0	2350
DE_	302.055
X0	1
Prod_Type3	SRB_CTB_CB



## MANUFACTURING?BEARING INDONESIA

X1	1
X2	0.67
SIR	47
e	0.35
DA_	37
bomp	23238CE4
Z_	19
ALP2	0
ALP1	13
ALP3	0
D_a max	322
D_a min	288
yobi	23238CE4
ALPHA_	0.227
SDM_	266.003
r	4
KBRG	2322
SBRG	32
DI_	229.951