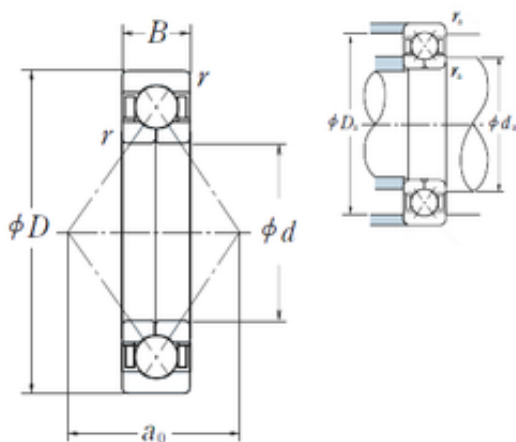




MANUFACTURING? BEARING INDONESIA



105 mm x 225 mm x 49 mm 105 mm x 225 mm
x 49 mm NSK QJ 321 angular contact ball bearings

Bearing No. QJ 321

Size	105x225x49 mm
Bore Diameter	105 mm
Outer Diameter	225 mm
Width	49 mm
d	105 mm
D	225 mm
B	49 mm
C	49 mm
Angle (°)	35 °
a	115,5 mm
r min.	3 mm
da min.	119 mm
da max	211 mm
ra max.	2,5 mm
Weight	10,5 Kg
Basic dynamic load rating (C)	305 kN
Basic static load rating (C0)	640 kN
(Grease) Lubrication Speed	2 400 r/min

QJ 321 Bearing 2D drawings and 3D CAD models