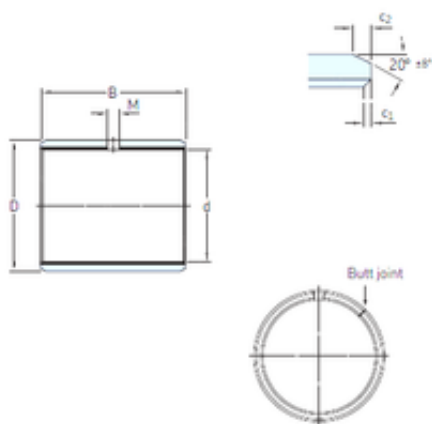




MANUFACTURING? BEARING INDONESIA



35 mm x 39 mm x 50 mm 35 mm x 39 mm x 50 mm SKF PCM 353950 E plain bearings

Bearing No. PCM 353950 E

Size	35x39x50 mm
Bore Diameter	35 mm
Outer Diameter	39 mm
Width	50 mm
d	35 mm
D	39 mm
B	50 mm
c1 min	0,1 mm
c2 min	0,8 mm
M	– mm
Weight	0,087 Kg
Basic dynamic load rating (C)	137 kN
Category	Plain Bearings
Inventory	0.0
Manufacturer Name	SKF
Minimum Buy Quantity	N/A
Weight / Kilogram	0.974
EAN	7316571885971
Product Group	B04264
c ₁ min.	0.1 mm
c ₁ max.	0.7 mm
c ₂ min.	0.8 mm
c ₂ max.	1.6 mm
± 8	20 °
Tolerance shaft	f7

PCM 353950 E Bearing 2D drawings and 3D CAD models



MANUFACTURING?BEARING INDONESIA

Tolerance housing	H7
Basic dynamic load rating - radial direction C	137 kN
Basic static load rating - radial direction C_0	430 kN
Specific dynamic load factor K	80 N/mm ²
Specific static load factor K_0	250 N/mm ²
Factor depending on material and bearing type K_M	480
Permissible sliding velocity v min.	0 m/s
Permissible sliding velocity v max.	2 m/s
Coefficient of friction μ min.	0.03
Coefficient of friction μ max.	0.25
Mass bushing	0.087 kg